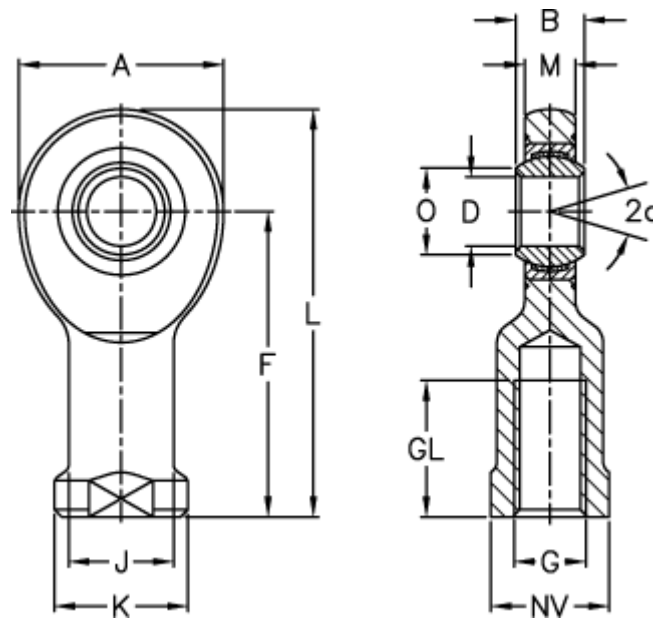


Article number: 03488010  
 Description: Fluro Rod end EIL 10D-NIRO  
 Note: 10

## Measures



A	= 28	J	= 15
a (degrees)	= 12	K	= 19
B	= 9	L	= 57
D	= 10	M	= 7
Dynamic drive (kN)	= 10	NV	= 17
F	= 43	O	= 13.2
g	= M10	Static drive kN	= 13.6
GL	= 20	Weight	= 60